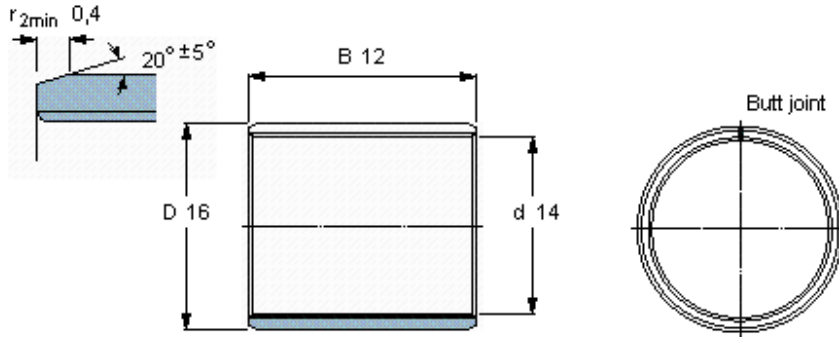


Composite dry sliding bushings, metric dimensions

Principal dimensions			Basic load ratings		Mass	Designation
d	D	B	dynamic C	static C0		
mm			kN		kg	-
14	16	12	13,4	41,5	0,0042	PCM 141612 E



Specific load factor K 80
Material constant K_M 480